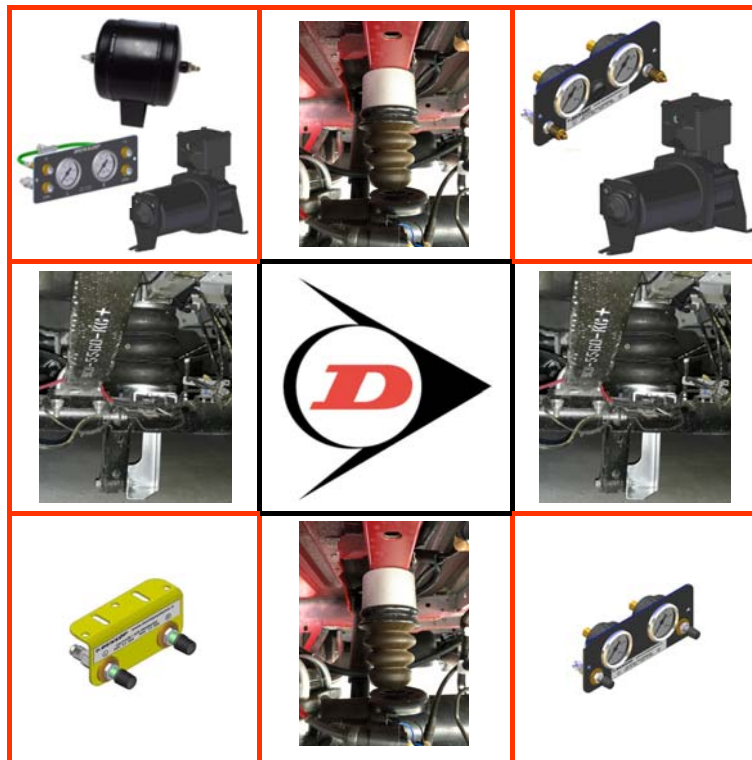


Installation Manual

L.TRA.EAS14.C.M

Ford Transit 330-430 (2014 onwards)
AWD Single Tires (4x4)





FORD TRANSIT 330-430

L.TRA.EAS14.C.M

CONTENTS

1. FOREWORD	3
2. INTRODUCTION	4
3. VERY IMPORTANT NOTES.....	5
4. EXPLODED VIEW	7
5. INSTRUCTIONS FOR INSTALLATION	8
5.1. Removal of Bump Stop and Installation of Lower Mounting Bracket	8
5.2. Installation of Upper Mounting Bracket.....	9
5.3. Attachment of the Air Bellow	9
5.4. Fitting of Inflator Console.....	10
5.5. Tube Connection and Disconnection, Cutting and Routing	12
5.6. Spring Inflation.....	13
5.7. Spring Alignment	14
5.8. Maintenance.....	14
5.9. Check List.....	15
5.10. Installation Drawings	16
6. EPILOGUE	19

DSC Nederland B.V.
Het Wegdam 22
7496 CA Hengevelde
Nederland
Tel. : +31 (0)547 333065
Fax. : +31 (0)547 333068
e-mail: info@dunlopsystems.nl
Website: www.dunlopsystems.nl

© 2017, DSC Nederland B.V.



FORD TRANSIT 330-430

L.TRA.EAS14.C.M

1. FOREWORD

This manual provides instructions for the installation of an auxiliary air suspension kit, developed specifically for the Ford Transit 330-350 rear wheel drive single tires and all wheel drive (2014 - Present). To ensure correct installation of the kit, it is strongly recommend that these instructions are read thoroughly before commencing any installation work. Installation should only be carried out by a suitably qualified mechanic or specialist installation facility. DSC Nederland will not accept any responsibility for faults or defects arising from incorrect installation, which automatically renders the guarantee invalid.

IMPORTANT : Manufacturer's Declaration Form

A manufacturer's declaration form is provided with your kit. Following installation of the kit please ensure that this form is completed, signed by a qualified fitter and a copy is returned to DSC Nederland by post, fax or e-mail. Our e-mail address is: info@dunlopsystems.nl



FORD TRANSIT 330-430

L.TRA.EAS14.C.M

2. INTRODUCTION

Thank you for choosing an auxiliary air suspension kit from the range offered by *DSC Nederland*. Auxiliary air suspension is fitted in tandem with the standard steel springs of the vehicle suspension, and provides enhancements in terms of both the stability of the vehicle and the comfort of the passengers...

Vehicle Levelling

Simply by varying the air pressure in the springs, the vehicle can be levelled both front-to-rear and side-to-side. Keeping the vehicle level optimises stability, ensures correct headlamp beam distribution and reduces tyre wear arising from uneven distribution of weight.

Straight Line Stability

Straight line stability is greatly increased at higher speeds, and when subjected to buffeting from cross-winds or large overtaking vehicles.

Reduced Body Roll

Body roll when cornering or negotiating roundabouts is significantly reduced.

Fatigue Reduction and Wear Compensation

Suspension fatigue is reduced, so helping to prevent leaf springs from sagging under repeated or constant loading. Any sagging already present can be compensated-for. This is a particular benefit for motorhomes, which are always fully laden.

Ride Comfort

Air springs help to absorb shock loads from uneven road surfaces, therefore general ride quality is much improved.

3. VERY IMPORTANT NOTES



Gross Vehicle Weight (GVW)

Air assist kits are not in themselves designed to increase the gross vehicle weight (GVW) rating of a vehicle. They do not legally allow for carriage of a load greater than the carrying capacity stated on the data plate of the vehicle.

Do not exceed the maximum load specified by the vehicle manufacturer...

- ◆ to avoid compromising passenger safety
- ◆ to prevent possible damage to the vehicle
- ◆ for legal reasons



Load Sensing Valve (LSV) Adjustment

If your vehicle is not fitted with an antilock braking system (ABS) then it will have a load sensing valve (LSV) to automatically adjust braking force under varying load conditions. This valve **must** be adjusted immediately after the fitting of an air assist kit and before the vehicle is driven again on public roads.

If the LSV is not adjusted following the fitting of an air assist kit, it may misjudge rear load conditions to the extent that the braking pressure applied to the rear brakes is not correct (e.g. the rear wheels may lock with no load on the rear axle). The consequences of this in terms of vehicle stability and safety are potentially serious.

Vehicle Upgrading

Despite the above words of caution, it is possible to upgrade the weight rating of your vehicle. This must be carried-out by a specialist supplier that will...

- ◆ carry out any necessary modifications in addition to fitting the air assist kit
- ◆ complete documentation as necessary to inform the Driver and Vehicle Standards Agency (DVSA) – a mandatory requirement
- ◆ supply and fit a new weight plate to replace the original plate supplied with the vehicle

This process applies to United Kingdom registered vehicles. The process in other countries may be different.



FORD TRANSIT 330-430

L.TRA.EAS14.C.M

Safety Guidance Note

The following very useful guidance note is available for free download from the *Health and Safety Executive* (HSE)...

PM85, July 2007 *Safe recovery (and repair) of buses and coaches fitted with air suspension*

The uniform resource locator (URL) for this document is...

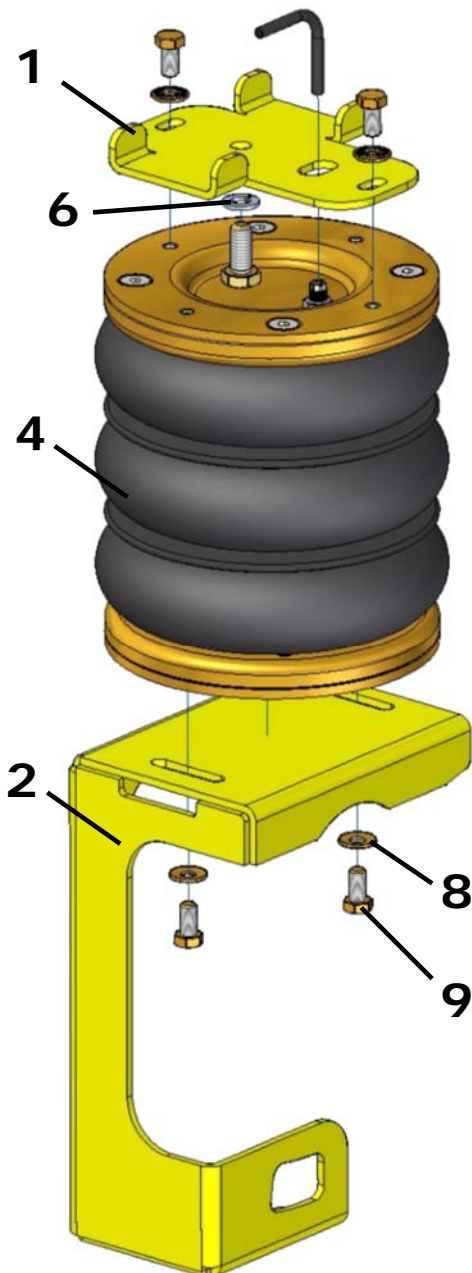
<http://www.hse.gov.uk/PUBNS/pm85.pdf>

FORD TRANSIT 330-430

L.TRA.EAS14.C.M

4. EXPLODED VIEW

The exploded view of the **left side** is shown by the diagram below...



Number	Part Number	Description	Quantity
1	21.18.00.1.01	Top bracket left and right	2
2	21.17.00.1.04	Lower bracket left side	1
3*	21.17.00.1.05	Lower bracket right side	1
4	OP.LB.170-3.CPL	Air bellow 170/3	2
5*	DIN 9021 M12	Washer	2
6	DIN 127 M10	Spring washer	2
7	DIN 933 M10 x 25	Hexagon bolt	2
8	M8	Disc spring washer	8
9	DIN 933 M8 x 16	Hexagon bolt	8

* Not shown in the assembly

Front

Rear

In addition to the parts illustrated above, the kit comprises of...

- either a two-valve inflator console or (optionally) a console with pressure gauges
- Left (black) and right (Blue) air hose
- cable Ties
- a Manufacturer's Declaration form
- installation Instructions

5. INSTRUCTIONS FOR INSTALLATION**Preparation and Precaution**

Before beginning installation, ensure that you have sufficient clearance between the axle and the chassis. Use a jack if necessary. Install at one side of the vehicle at a time.



Pay attention to your safety at all times during installation - always use axle stands to support the vehicle!

**Recommended Tightening Torque**

During fitting of the air suspension system, it is recommended that nuts and bolts are tightened in accordance with the following table...

METRIC TORQUE CHART IN N.m		
SIZE	CLASS 8.8	CLASS 10.9
M6 x 1	9.9	14.0
M8 x 1.25	24.0	34.0
M10 x 1.5	48.0	67.0
M12 x 1.75	83.0	117.0
M16 x 2	200.0	285.0

- When both the bolt and nut are made from steel use either class 8.8 or 10.9
- For all other materials, tightening torque is left to the discretion of a person skilled in the art

The following instructions make reference to the diagrams on pages 16 to 18 inclusive.

5.1 Removal of Bump Stop and Installation of Lower Mounting Bracket

- Unscrew and remove the bump stop hanging from the chassis - Figures 1 to 3
- Unscrew and temporarily remove the nut from the bolt securing the shock absorber at the bottom - Figure 4
- Place the bellow/lower bracket onto the axle assembly such that the shock absorber lower bolt engages with the slotted hole near the base of the lower bracket - Figure 5
- Replace the nut but do not tighten it at this stage - Figure 5



FORD TRANSIT 330-430

L.TRA.EAS14.C.M

5.2 Installation of Upper Mounting Bracket

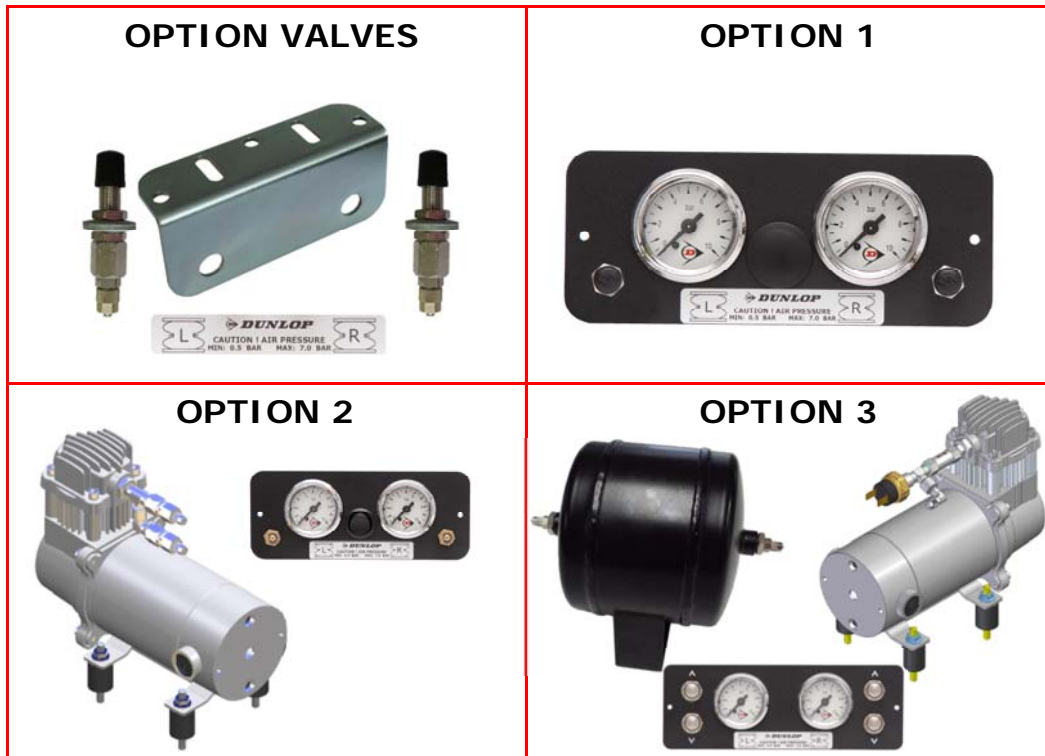
- i. Attach the upper mounting bracket to the chassis using a single M10 x 25 bolt and spring washer, with the larger portion of the bracket on the outside of the chassis - Figures 6 and 7.

5.3 Attachment of the Air Bellow

- i. See Section 5.5 - "*Tube Connection and Disconnection, Cutting and Routing*" : Connect a tube to the bellow by pushing the tube into the air inlet port on the upper side of the spring and then hand-rotating the tube by one screw turn - Figures 1 and 2. Use black tubing for the left-hand bellow and blue for the right-hand bellow. Compress the bellow and then bung the tube to hold it in the compressed state - Figure 7
- ii. Feed the tubing through the larger of the holes in the upper bracket - Figure 8
- iii. Attach the bellow to the lower mounting bracket using 2-off M8 x 16 bolts with disk washers. Do not fully tighten the bolts at this stage - Figure 9
- iv. Remove the bung to enable the bellow to expand upwards to the upper bracket, taking care to guide the tubing during this process so that it does not become trapped between the bellow top plate and the upper bracket - Figure 9

FORD TRANSIT 330-430
L.TRA.EAS14.C.M

5.4 Fitting of Inflator Console



Your kit is supplied with one of the inflator options shown above...

- **OPTION VALVES** : Two valves and a small bracket
- **OPTION 1** : Two valves in a console with two independent 10-bar pressure gauges
- **OPTION 2** : Two valves in a console with two independent 10-bar pressure gauges and a rocker on/off switch to operate the electric motor driven air compressor
- **OPTION 3** : Four valves (two for raising the vehicle ('UP') and two for lowering the vehicle ('DOWN')) in a console with two independent 10-bar pressure gauges. A pressure switch operates the electric motor driven air compressor to keep the air reservoir of 1.9-litre at pressure.



A special dashboard panel is available for **OPTION 1** and **OPTION 2**

L.TRA.EAS14.C.M

Mount the console in a position of your choice whereby it is firmly fixed, has some protection from the environment (particularly important for the console with gauges) and is easily accessible. Suggested possible locations include...

'Option Valves' Console...

- on the rear bumper
- at the rear beside the license plate
- on the chassis next to a rear wheel
- in a service shutter (motorhomes)
- beside the fuel cap

'Option 1', 'Option 2' or 'Option 3' Console...

- in the vehicle cabin, within reach and sight of the driver
- Beside, under the driver seat
- in the wall of a cupboard (motorhomes)
- in a service shutter (motorhomes)

'Comfort' Packages

The 'Option 2' and 'Option 3' panels, as shown above, are each part of a *Comfort Package* that is supplied with a compressor (and also an air reservoir in the case of the 'Option 3' panel) for ease of spring inflation and ride height setting. For further information please ask your dealer.

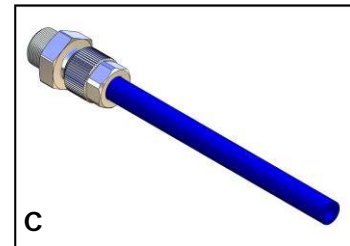
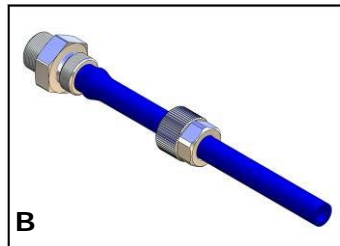
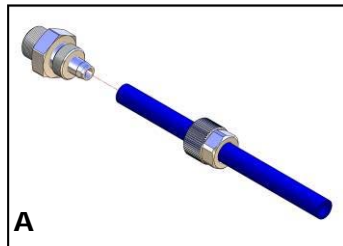
The photograph below shows all of the parts of Comfort Package 'Option 2'...



Comfort Package 'Option 2'

5.5 Tube Connection and Disconnection, Cutting and Routing**Connection and Disconnection**

Tubes are connected as shown by the diagrams below...



- A. Slide a nut over the end of the tube
- B. Push the tube onto the connector as far as possible
- C. Feed the nut up to the connector, fully tighten by hand and finally tighten one additional turn using spanners

Cutting

To achieve good sealing and air-tight fitting of tube ends to their connecting parts, it is very important to cut tubing cleanly and squarely. A dedicated guillotine action tubing cutter is recommended, or a craft knife if such a tool is not available. Do not use electrician's side cutters.



A dedicated tubing cutter -
Recommended



Electrician's Side Cutters
NOT Recommended



FORD TRANSIT 330-430

L.TRA.EAS14.C.M

Routing

Study the underside of the vehicle and decide how to route each branch of the air circuit...

- To minimise the risk of chafing, avoid running tubing over metal edges as much as possible
- Avoid close proximity to heat sources such as the exhaust assembly
- Choose a route that provides as much protection as possible from dirt, debris and any solid objects that may impact the underside of the vehicle

It is recommended that tubes are guided alongside brake lines as much as possible.



Use cable ties ('tie wraps') to secure tubing to the chassis, taking care not to over-tighten them.

5.6 Spring Inflation

Once installation of the air assist kit is complete, inflate the springs to achieve the desired ride height via the inflator console taking careful note of the following...



Maximum and Minimum Pressure

Maximum Pressure 7.0bar

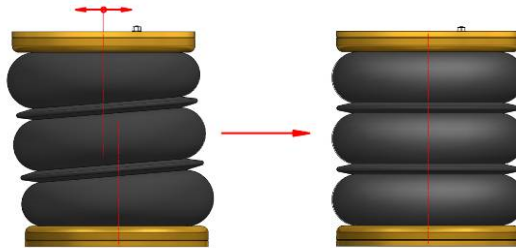
Minimum Pressure 0.5bar

Do not exceed 7.0bar (101psi), which is the recommended maximum charge pressure for the air springs.

The springs may be deflated if the vehicle is to be stored for a lengthy period without use, but a pressure of at least 0.5bar (7.25psi) should be maintained at all times in order to avoid possible compression damage to the springs.

With the vehicle standing at the desired ride height, it is recommended that the height of the bellow itself should be between 18cm and 22cm.

5.7 Spring Alignment



Spring out of alignment
mounting plate axes offset

Spring in alignment
mounting plates parallel
and coaxial



CAUTION!

Before fully tightening the bolts that secure the air spring to the upper and lower brackets, set the vehicle at ride height (spring height approximately 18.5cm) and ensure that the springs are correctly aligned.

- i. Adjust the lower bracket such that its top face is parallel to the underside of the chassis, then tighten the nut that secures the bracket to the shock absorber lower mounting bolt
- ii. With the vehicle standing at the desired ride height, ensure that the springs are correctly aligned as illustrated above and then tighten the bolts to secure the bellows to both the upper and the lower mounting brackets.

5.8 Maintenance

Following installation, it is recommended that all metal parts are coated with a protective substance such as body wax.

The system does not require very much maintenance other than...

- ◆ to maintain air pressure in the springs. Much like a tyre, the system may lose a little air over time.
- ◆ to keep the air bellows clean. It is suggested that, when washing the vehicle, the bellows are inspected and cleaned as necessary (preferable by spraying). Look in particular for stones or grit trapped between convolutes, as this may damage the bellows.



FORD TRANSIT 330-430

L.TRA.EAS14.C.M

5.9 Check List

Before driving the vehicle following completion of installation of the auxiliary air suspension system, please check...

- ...all bolts tightened to the recommended torque (Page 8)?
- ...air springs set in alignment (Section 5.8)?
- ...enough free space around the air springs to avoid wearing?
- ...all metal parts wax coated (Section 5.9)?
- ...manufacturer's declaration form completed and a copy returned?



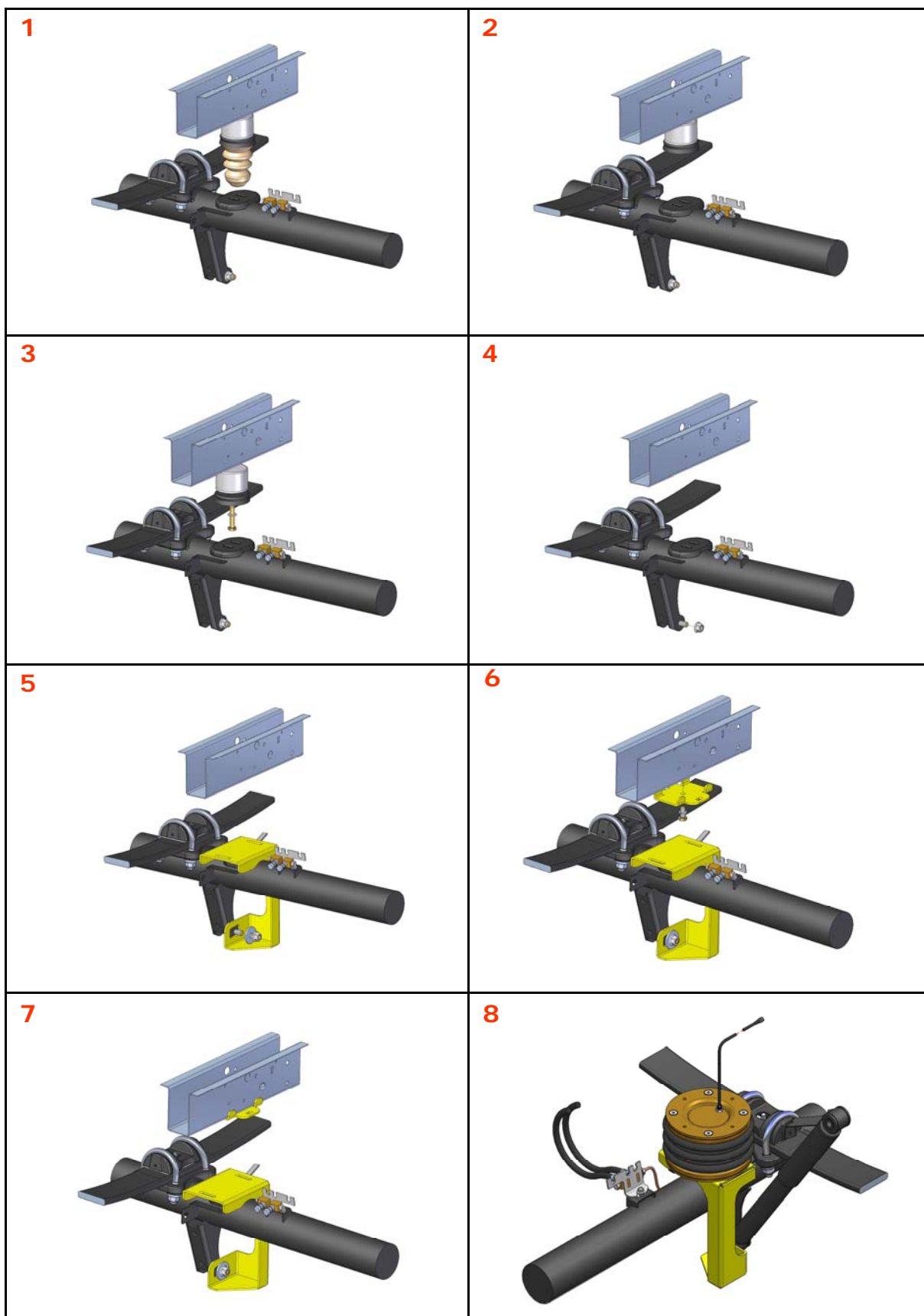
A wait of 24 hours is recommended in order to ensure that the vehicle has maintained its stance and that there are no air leaks present.

FORD TRANSIT 330-430
L.TRA.EAS14.C.M

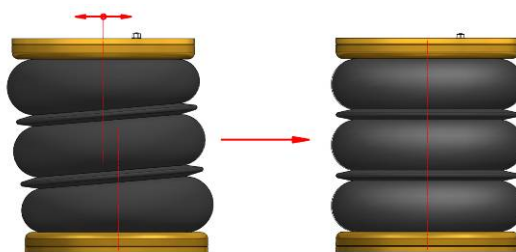
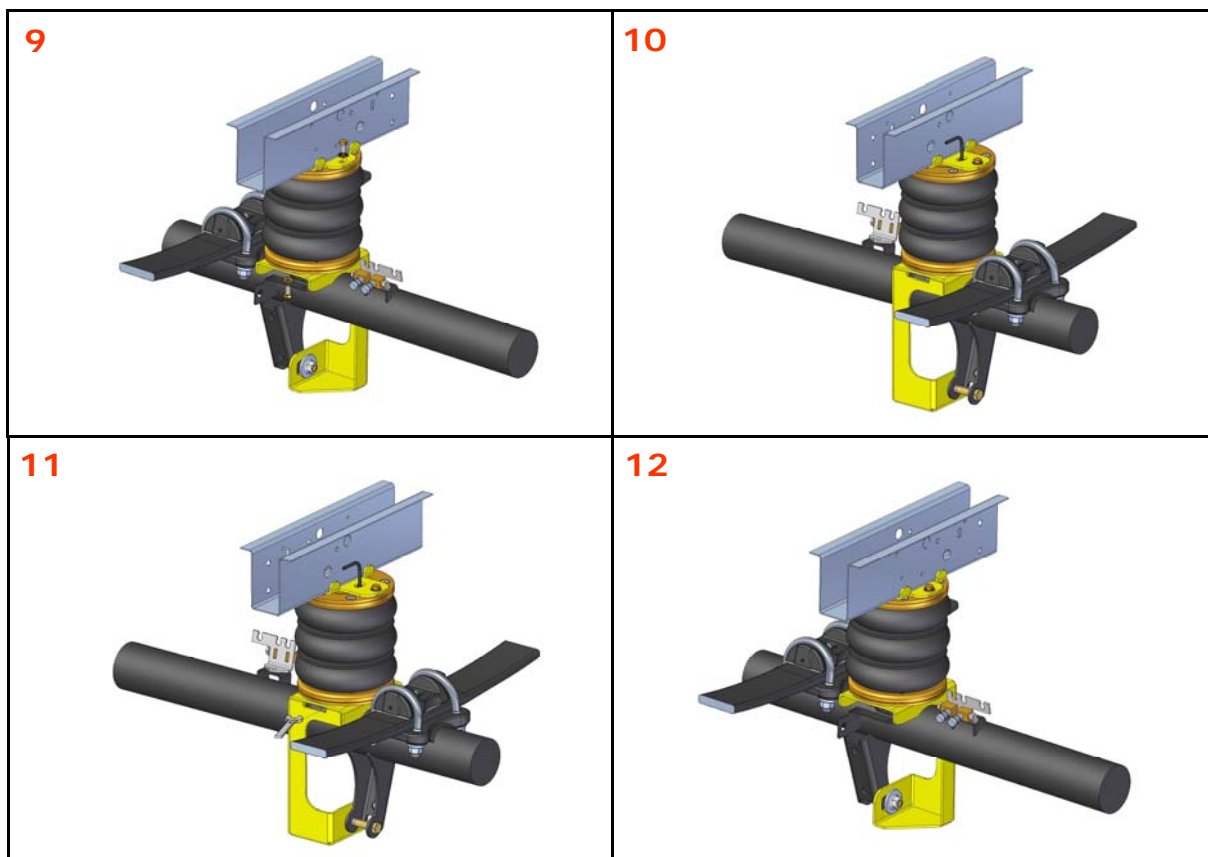
4.11 Installation Drawings



FORD TRANSIT 330-430
L.TRA.EAS14.C.M



FORD TRANSIT 330-430
L.TRA.EAS14.C.M



Spring out of alignment
 mounting plate axes offset

Spring in alignment
 mounting plates parallel
 and coaxial



CAUTION!

Before fully tightening the bolts that secure the air spring to the upper and lower brackets, set the vehicle at ride height (spring height ideally between 13 cm and 16 cm) and ensure that the springs are correctly aligned.



FORD TRANSIT 330-430

L.TRA.EAS14.C.M

6. EPILOGUE

DSC Nederland hopes that you enjoy the benefits that your *DUNLOP* air suspension system will provide for you. To ensure optimal performance, we advise that you have your system checked frequently by qualified personnel. As recommended in the fitting instructions, it is important to coat all the steel parts with a protective substance such as body wax.

IMPORTANT : Manufacturer's Declaration Form

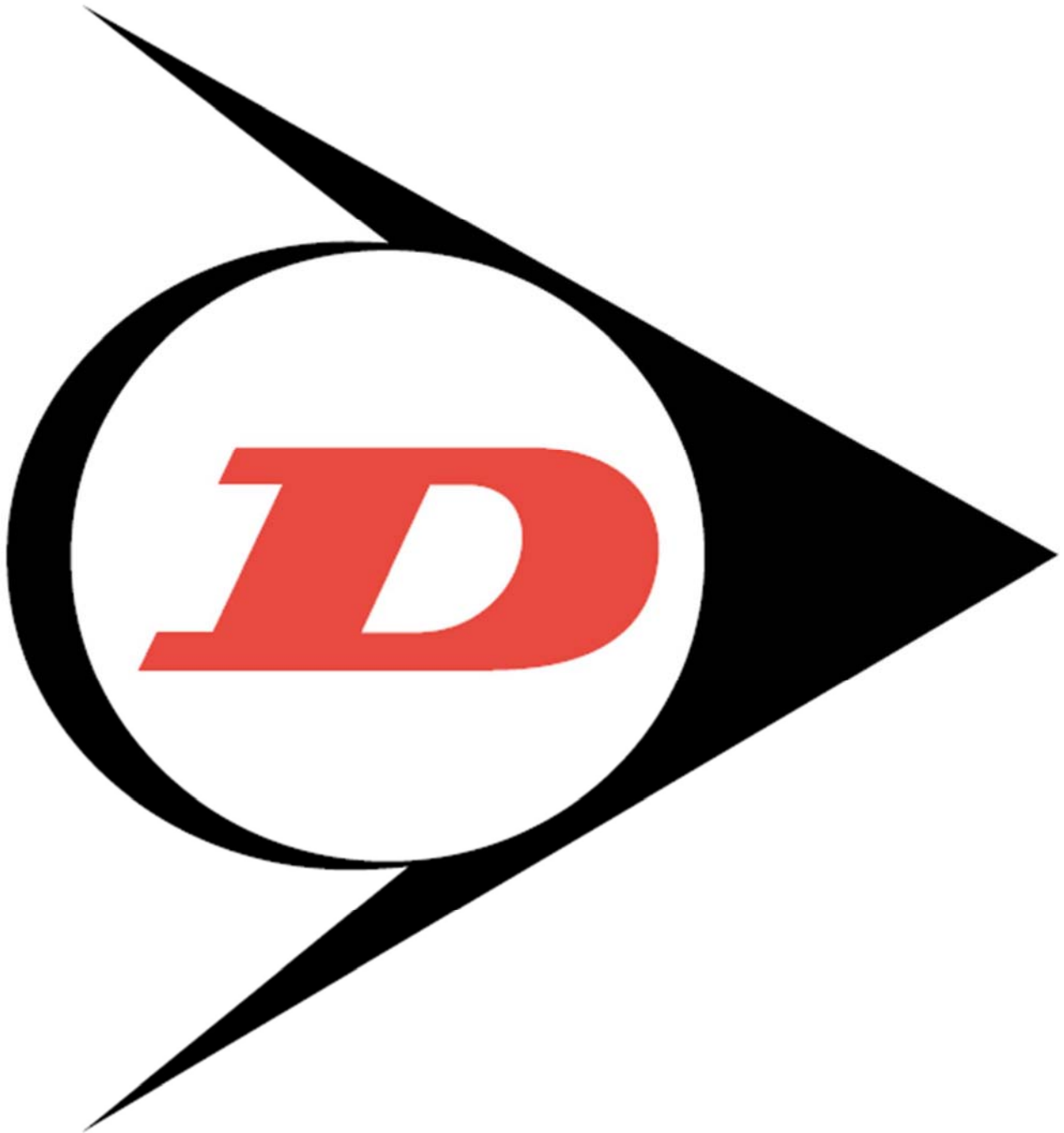
A manufacturer's declaration form is provided with your kit. Following installation of the kit please ensure that this form is completed, signed by a qualified fitter and a copy is returned to DSC Nederland by post, fax or e-mail. Our e-mail address is: info@dunlopsystems.nl

As a condition of your warranty, modifications to the system may only be carried out by personnel of DSC Nederland.

Enquiries

For general enquiries please contact one of our dealers. You can find them on our website.

www.dunlopsystems.nl



DSC Nederland B.V.
Het Wegdam 22
7496 CA Hengevelde
Nederland
Tel. : +31 (0)547 333065
Fax. : +31 (0)547 333068
e-mail: info@dunlopsystems.nl

www.dunlopsystems.nl